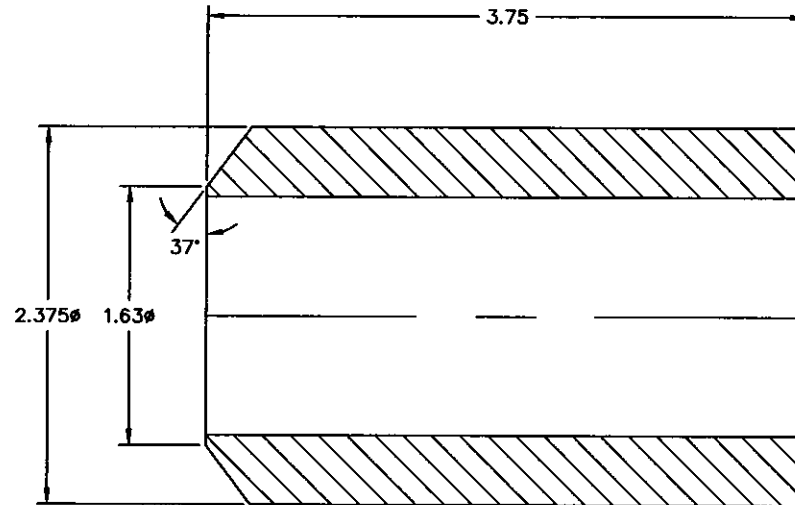


IF IN DOUBT, ASK!!

DWG NO: NPS2-WC



MATERIAL		NOTES:	
NPS-2 SCHD160 SA106-B PIPE			
SPECIAL PROCESS/HT TREAT			
No.	BY:	DATE:	



Saskatchewan  
Ministry of  
Corrections, Public  
Safety and Policing

TITLE:	
2" PIPE (NPS2) WELD COUPON SPECIFICATIONS	
DWN: R. WILLIAMSON	DATE: FEB-28-08
CHKD:	DATE:
APPD:	DATE:
PAGE: 1 OF 1	REV: 0
PART NO:	NPS2 COUPON